

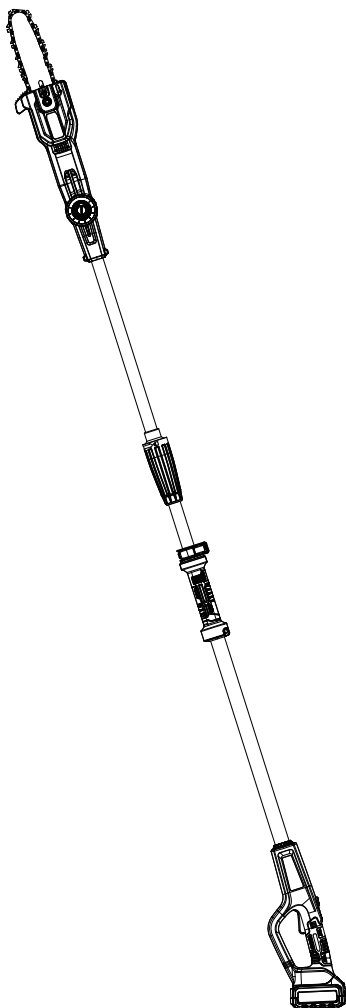
4SISON®

POTATORE TELESCOPICO 20V MAX IONI DI LITIO

Manuale Operatore

Modelli : CSPX2-M-EU

CSPX2-M-EU-0



Per l'assistenza clienti, consultate il sito:

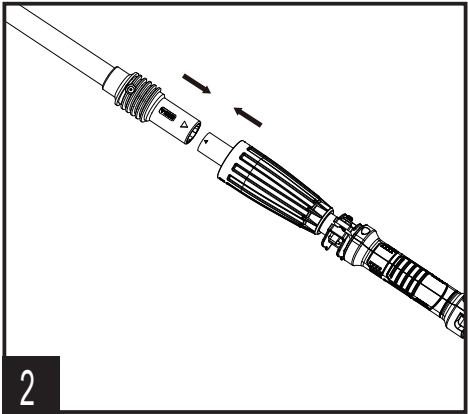
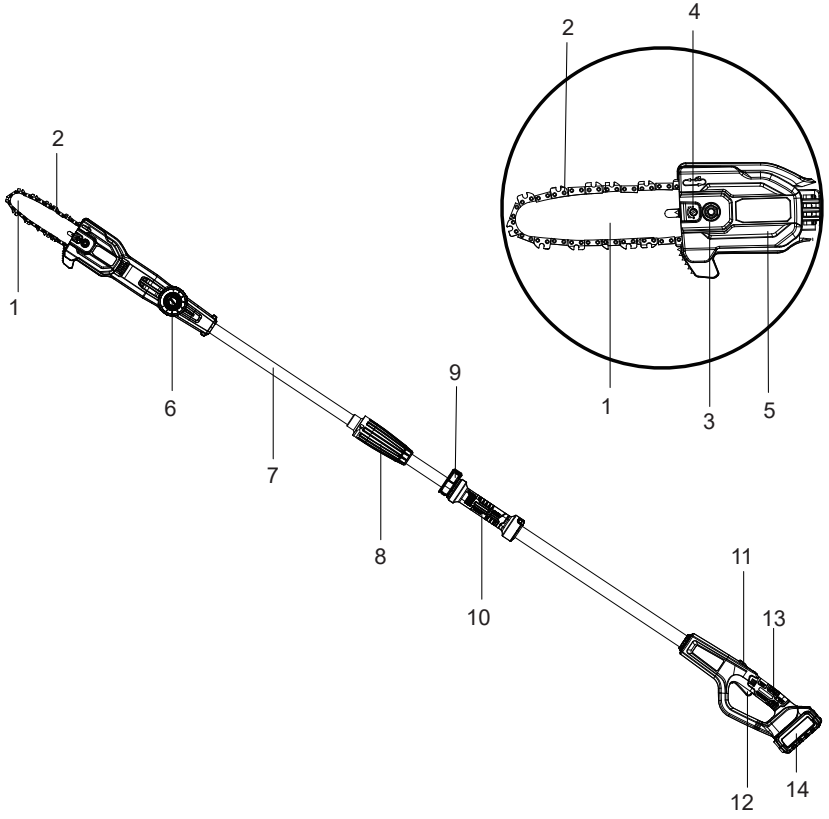
www.sabreitalia.com

ATTENZIONE : PRIMA DI UTILIZZARE QUESTO PRODOTTO, LEGGETE IL MANUALE
E RISPETTATE TUTTE LE ISTRUZIONI E LE AVVERTENZE DI SICUREZZA.

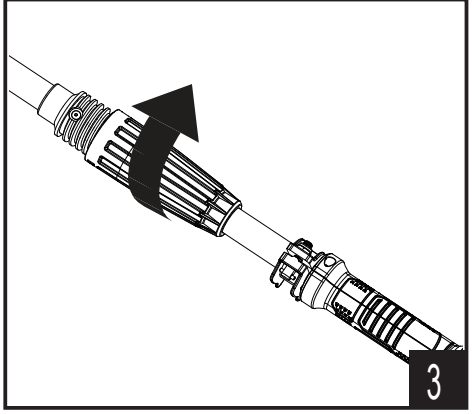
TRADUZIONE DEL MANUALE DI USO E MANUTENZIONE ORIGINALE IN INGLESE.



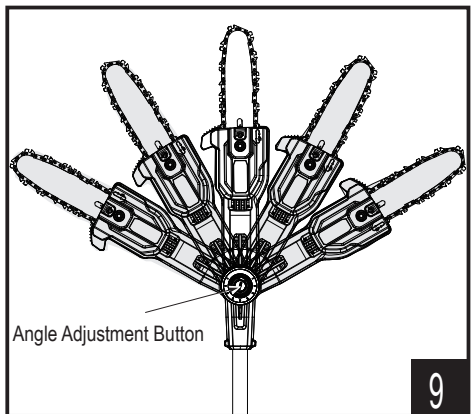
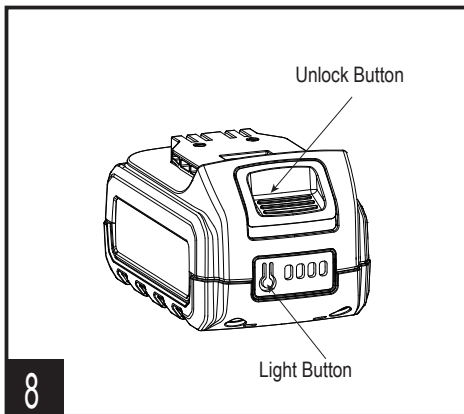
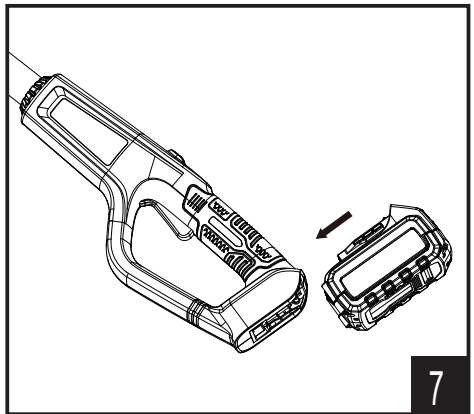
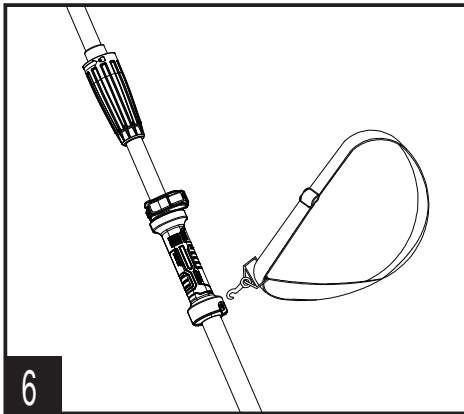
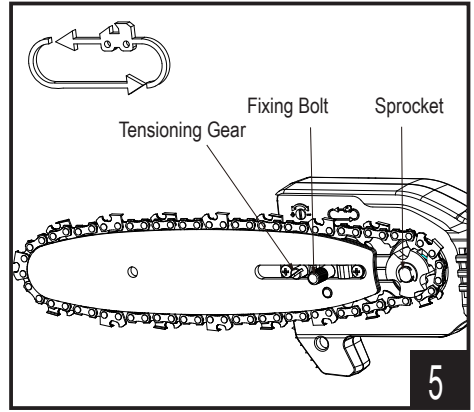
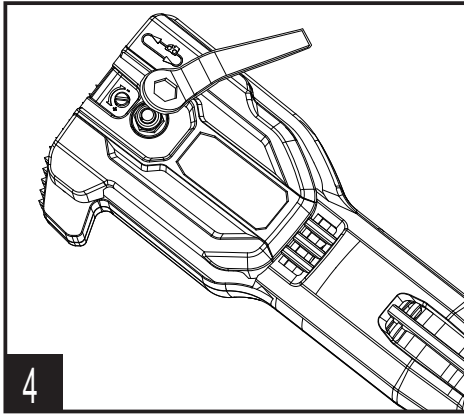
1

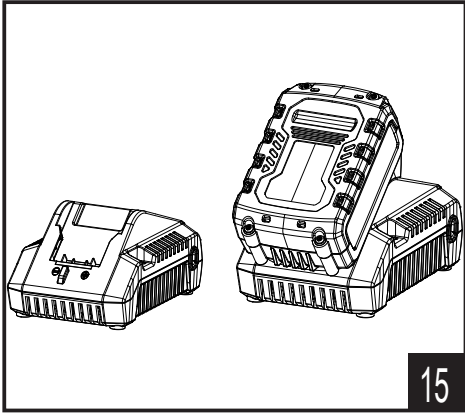
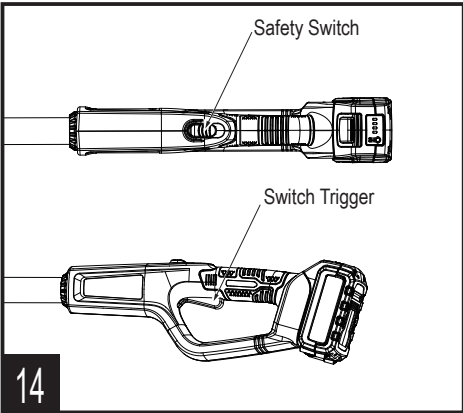
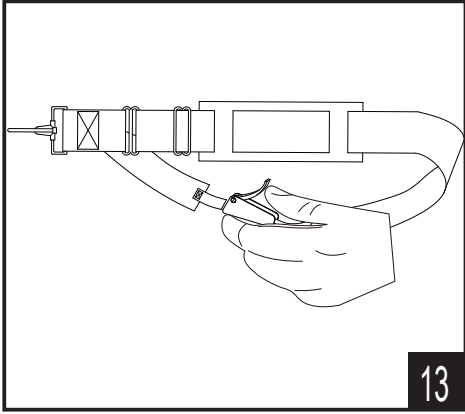
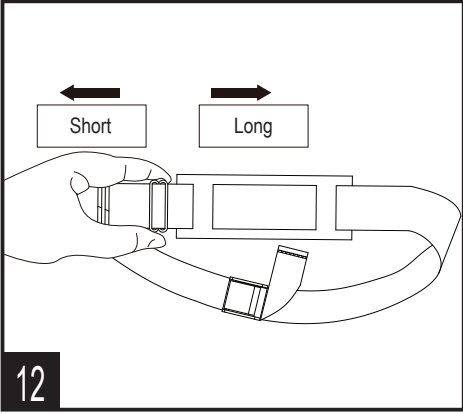
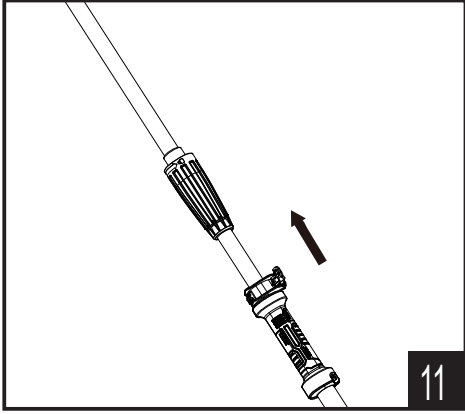
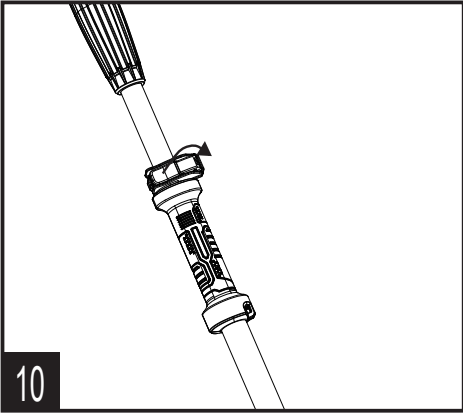


2



3





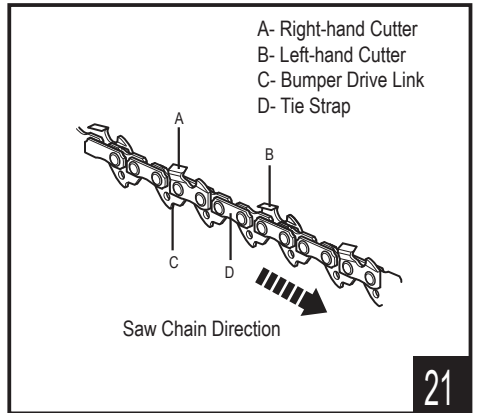
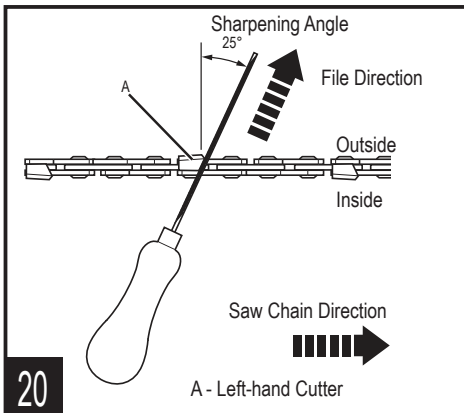
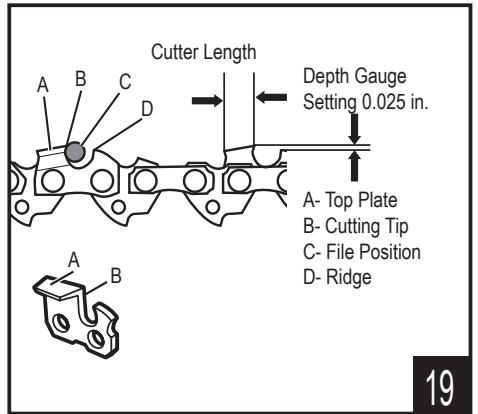
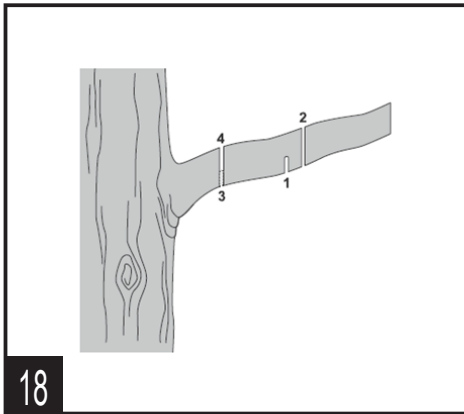
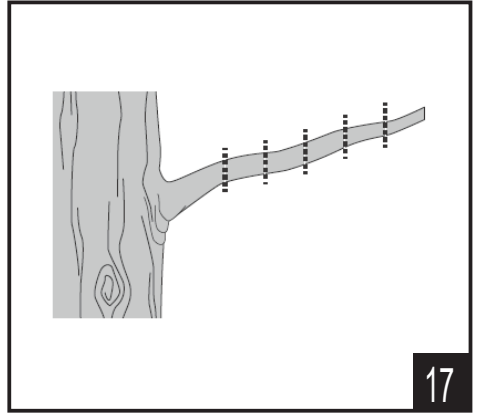
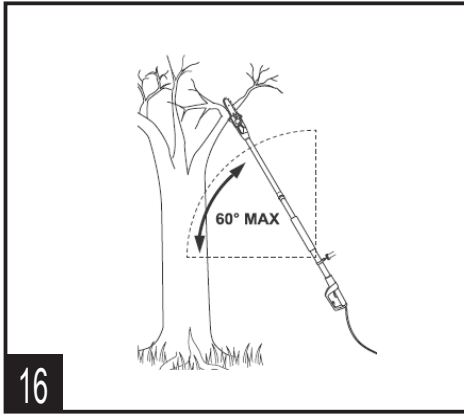








TABLE OF CONTENTS

SAFETY & INTERNATIONAL SYMBOLS6
 SAFETY INSTRUCTIONS.....7
 KNOW YOUR UNIT.....15
 SPECIFICATIONS*15
 ASSEMBLY.....16
 OPERATION.....17
 MAINTENANCE.....20
 TROUBLESHOOTING.....22
 PARTS.....23
 WARRANTY.....24

SAFETY & INTERNATIONAL SYMBOLS

Explanation of safety & international symbols describes safety and international symbols and pictographs that may appear on this product. Read the operator's manual for complete safety, assembly, operating and maintenance and repair information.

-  Caution / Warning.
-  To reduce the risk of injury, user must read instruction manual.
-  Wear tight-fitting protective clothes.
-  Wear protective gloves.
-  Wear Sturdy, non-slip footwear.
-  Always wear eye protection, ear protection and head protection meeting ANSI Z87.1 standards.
-  DANGER – Keep hands away from blade.
-  DANGER!
Risk of electrocution!
-  Indoor use only. Only use battery charger indoors.

-  Tip contact can cause the guide bar to move suddenly upward and backward, which can cause serious injury.
-  Keep bystanders a safe distance away from the work area.
-  Do not use in rain or wet conditions.
-  Do not dispose of battery packs in rivers or immerse in water.
-  Do not dispose of battery packs in fire. They will explode and cause injury.
-  Use and store the battery within a temperature below 122°F (50°C).
-  Do not disassemble, crush, heat above 212°F (100°C) ; Never expose the battery to microwaves or high pressures.

SAFETY INSTRUCTIONS

All Operators Must Read These Instructions Before Use.

Always follow these safety guidelines. Failure to do so may result in serious bodily injury or death.

DANGER!

This indicates a hazardous situation, which, if not followed, could cause serious injury or death.

WARNING!

This indicates a hazardous situation, which, if not followed, could result in serious injury or death.

CAUTION!

This indicates a hazardous situation, which, if not followed, could result in minor or moderate injury.

GENERAL POWER TOOL SAFETY WARNINGS

WARNING!

When using cordless yard tools, basic safety precautions should always be followed to reduce the risk of fire, electric shock and personal injury, including the following:

1. Keep guards in place – Protective guards should be checked periodically to ensure they are properly fitted and in correct working order.
2. Keep work area clean and well-lit – Clear work area of branches and limbs after each cutting session. Cluttered areas invite accidents.
3. Do not use in dangerous environments – Do not use power tools in damp or wet locations.
4. Do not use the pole chain saw in the rain.
5. Keep bystanders and children away – All bystanders, including children and pets, should be kept a safe distance away from the work area.
6. Do not force the tool – It will do the job effectively and safely if it is used at the rate for which it was designed.
7. Use the right tool – Do not force the tool or any attachment on the tool to do a job for which they were not designed.
8. Wear proper apparel – Do not wear loose articles of clothing or jewelry since such items may get caught

in moving parts. Use of heavy-duty rubber gloves, substantial non-skid footwear and close-fitting clothing is recommended when working outdoors with power tools.

9. Wear protective hair coverings to contain long hair.
10. Always wear safety glasses and ear defenders to provide eye and ear protection – Everyday eyeglasses only have impact resistant lenses and do not provide the same protection as safety glasses.
11. Wear face or dust masks – If the cutting operation is dusty, the use of a face or dust mask specially designed to filter out microscopic particles is recommended.
12. Use recommended accessories – Consult the owner's manual for recommended accessories. The use of improper accessories may cause risk of injury.
13. Check for damaged parts – Before each use, repair or replace any guard or part that is damaged. In

addition, check for alignment of moving parts, binding of moving parts, breakage of parts and any other conditions that may affect the tool's operation.

14. Never leave tool unattended while it is running – Turn the power OFF by removing the battery from the unit. Do not leave the saw until the cutting bar comes to a complete stop.
15. Do not grasp the exposed cutting blade or cutting edges when picking up or holding the saw – Be sure to encase the cutting bar in its protective sheath when not in use.
16. Disconnect tool – Turn off the power switch and remove the battery when it is not in use, before servicing, when transporting or when changing the chain or other accessories.
17. Stay alert – Watch what you are doing. Use common sense. Do not operate the pole chain saw when you are tired.
18. Store idle tool indoors – When not in use, appliances

should be stored indoors in a dry and high or locked-up place out of the reach of children.

WARNINGS FOR ALL BATTERY-OPERATED APPLIANCES

1. Prevent unintentional starting. Ensure the power switch is in the off-position before connecting to battery pack, picking up or carrying the appliance. Carrying the appliance with your finger on the power switch or energizing the appliance that has the power switch on invites accidents.
2. Make sure the power switch is off and the battery pack is removed before clearing jammed material, making adjustments, changing accessories, storing or servicing the appliance. Unexpected actuation of the appliance while clearing jammed material or servicing may result in serious personal injury.
3. Recharge only with the charger specified by the manufacturer. A charger that is suitable for one type of battery pack may create a risk of fire when used with another battery pack.
4. Use appliances only with specifically designated battery packs. Use of any other battery packs may create a risk of injury and fire.
5. When battery pack is not in use, keep it away from other metal objects, like paper clips, coins, keys, nails, screws or other small metal objects, that can make a connection from one terminal to another. Shorting the battery terminals together may cause burns or a fire.
6. Under abusive conditions, liquid may be ejected from the battery; avoid contact. If contact accidentally occurs, flush with water. If liquid contacts eyes, additionally seek medical help. Liquid ejected from the battery may cause irritation or burns. (This advice is considered correct for conventional NiMh, NiCd, lead acid and lithium-ion cell types. If this advice is incorrect for a cell design that differs

- from these, then the correct advice may be substituted.)
7. Do not use a battery pack or appliance that is damaged or modified. Damaged or modified batteries may exhibit unpredictable behavior resulting in fire, explosion or risk of injury.
 8. Do not expose a battery pack or appliance to fire or excessive temperature. Exposure to fire or temperature above 130°C may cause explosion. The temperature of 130°C can be replaced by the temperature of 265°F.
 9. Follow all charging instructions and do not charge the battery pack or appliance outside of the temperature range specified in the instructions. Charging improperly or at temperatures outside of the specified range may damage the battery and increase the risk of fire.
 10. Have servicing performed by a qualified repair person using only identical replacement parts. This will ensure that the safety of the

product is maintained.

11. Do not modify or attempt to repair the appliance or the battery pack (as applicable) except as indicated in the instructions for use and care.

POLE SAW SAFETY WARNING

WARNING!

Read all safety warnings and all instructions. Failure to follow the warnings and instructions may result in electric shock, fire and/or serious injury.

Save all warnings and instructions for future reference.

The term “power tool” in the warnings refers to your battery-operated (cordless) power tool.

1. Familiarize yourself with the operation of the pole chain saw and learn to use it properly.
2. Never permit others (especially children) who have not read the manual to use the machine.
3. Never remove the labels or security elements.
4. Check the oil level before each use of the pole chain saw. Never use the pole chain saw without oil in the tank or when the amount of

- oil is low.
5. Make sure that the handles are clean and dry. When the pole chain saw is running, always firmly grip the front handle with your left hand and the rear handle with your right hand.
 6. Do not operate the pole chain saw in an environment with flammable materials such as liquids, gases or dust. The sparks generated by the operation of the machine can cause an explosion.
 7. Never stand directly under the limb you are trimming. Always position yourself outside the path of falling debris.
 8. Always start sawing with the moving chain running.
 9. Do not saw with the tip of the saw guide bar.
 10. To protect yourself from electrocution, do not operate the pole chain saw within 50 ft (15 m) of overhead wires. Failure to follow this instruction could result in severe personal injury.
 11. The use of power equipment can be regulated. Remember to comply with

legal regulations which may differ from one location to another.

KICKBACK

AVOID CONTACTING THE GUIDE BAR TIP WITH ANY OBJECT.

In some cases, when the tip makes contact with an object, it may cause a fast reverse reaction, kicking the guide bar up and back towards the operator. Pinching the saw chain along the top of the guide bar may also push the guide bar rapidly back towards the operator. Either of these reactions may cause you to lose control of the cordless pole chain saw, which could result in serious personal injury.

- Kickback safety devices on this cordless pole chain saw include a skip chain and a low kickback guide bar. These will reduce, but not entirely prevent, kickbacks. Follow the necessary precautions indicated in this operator's manual to avoid kickbacks.
- Always use two hands when operating the pole chain saw, one hand gripping the trigger and the other hand gripping the pole. Use a firm

- grip. Thumbs and fingers must wrap around the trigger and the pole.
- Keep all guards in place on the pole chain saw. Make sure they are in proper working order.
 - Do not overreach or extend arms above shoulder height.
 - Keep solid footing and balance at all times.
 - Never try cutting through two branches at the same time. Only cut one at a time.
 - Do not bury the guide bar nose or try to cut by boring the guide bar nose into the wood.
 - Watch for shifting of wood or other forces that may pinch the chain.
 - Use extreme caution when re-entering a previous cut.
 - Use the low-kickback chain and guide bar supplied with this pole chain saw. Only use genuine replacement parts designed specifically for use with this pole chain saw.
 - Never use a dull or loose chain. Keep the chain sharp with proper tension.

BATTERY PACK SAFETY WARNINGS

- Ensure the switch is in the off position before inserting battery pack. Inserting the battery pack into machines that have the switch on can cause accidents.
- Use only original battery packs intended specifically for this machine. Use of any other battery packs may create a risk of injury and fire.
- Do not open the battery. Danger of short-circuiting.
- Protect the battery against heat (e.g., against continuous intense sunlight and fire) water and moisture. Danger of explosion.
- In case of damage and improper use of the battery, vapours may be emitted. Ventilate the area and seek medical help in case of complaints. The vapours can irritate the respiratory system.
- Use the battery pack only in conjunction with this product and/or product family. This measure alone protects the battery against dangerous overload.
- The battery can be damaged

by pointed objects such as nails or screwdrivers or by force applied externally. An internal short circuit can occur and the battery can burn, smoke, explode or overheat.

- Do not short-circuit the battery. There is danger of explosion.
- Store and use the battery only within a temperature range between -4°F(-20°C) to 77°F(25°C). As an example, do not leave the battery in the car in summer.
- Occasionally clean the venting slots and contact pins of the battery pack using a soft, clean and dry brush.

BATTERY CHARGER SAFETY WARNINGS

Read all safety warnings and instructions before using the charger. Only for indoor use!

- This appliance is not intended for use by children and persons with physical, sensory or mental limitations or a lack of experience or knowledge. This appliance can be used by children

aged from 8 years and above and persons with reduced physical, sensory or mental capabilities or lack of experience and knowledge if they have been given supervision or instruction concerning use of the appliance in a safe way and understand the hazards involved. Children shall not play with the appliance. Cleaning and user maintenance shall not be made by children without supervision.

- The supply cord cannot be replaced. If the cord is damaged the appliance should be scrapped.
- Only charge the Lithium-Ion battery pack as mentioned in this instruction manual. Do not charge non-rechargeable batteries.
- The battery and charger must be placed in a well ventilated area.
- If the supply cord is damaged, it must be replaced by the manufacturer, its service agent or similarly qualified persons in order to avoid a

hazard.

- Do not operate the battery charger on easily inflammable surfaces (e. g., paper, textiles, etc.) or surroundings. The heating of the battery charger during the charging process can pose a fire hazard.
- Do not cover the ventilation slots of the battery charger. Otherwise, the battery charger can overheat and no longer operate properly.

before you operate it again.

EMERGENCY

Familiarize yourself with the use of this product by means of this instruction manual. Memorize the safety directions and follow them to the letter. This will help to prevent risks and hazards.

- Always be alert when using this product, so that you can recognize and handle risks early. Fast intervention can prevent serious injury and damage to property.
- Switch off the product and remove the battery pack if there are malfunctions. Have the product checked by a qualified professional and repaired, if necessary,

KNOW YOUR UNIT

APPLICATIONS

Model: CSPX2-M

As a pole saw:

Cutting limbs with a thickness of max. 6.4in.

1	Guide Bar
2	Saw Chain
3	Sprocket Cover Nut
4	Tensioning Gear
5	Sprocket Cover
6	Angle Adjustment Button
7	Pole
8	Connecting Sleeve
9	Telescoping Lock Clip
10	Front Handle
11	Safety Switch
12	Switch Trigger
13	Rear Handle
14	Battery Pack



NOTE:

CSPX2-M-0 does not include the charger and the battery pack.

SPECIFICATIONS*

Model	CSPX2-M	
Input voltage	18V d.c.	
No-load speed	3480rpm	
Oil tank capacity	2.05oz	
Chain speed	5.2m/s	
Guide bar length	8in	
Max collapsing Length	8ft	
Max cutting length	7in	
Weight (without battery)	6.6lbs	
Battery pack model for option	B25X2	B50X2
Rated voltage	18V	18V
Rated capacity	2.5Ah	5.0Ah
Weight	0.74lbs	1.43lbs
Charger model	CHX2	
Rated input	100-240V ~ 50/60Hz	
Rated output	21V, 2000mA	
Charging time (with 2.5 Ah battery)	85mins	
Charging time (with 5.0 Ah battery)	130mins	
Protection class (for charger)		
Weight	0.75lbs	

Model	CSPX2-M-0
Input voltage	18V d.c.
No-load speed	3480rpm
Oil tank capacity	2.05oz
Chain speed	5.2m/s
Guide bar length	8in
Max collapsing Length	8ft
Max cutting length	7in
Weight (without battery)	6.6lbs
Battery pack model	Not included
Charger model	Not included

ASSEMBLY

1. Unpack all parts and lay them on a flat, stable surface:
2. Remove all packing materials and shipping devices, if applicable.
3. The scope of delivery varies depending on the country and purchased variant:
Model of CSPX2-M-0
 - Pole saw x1
 - Instruction manual x1
 - Guide bar x1
 - Guide bar cover x1
 - Saw chain x1
 - Wrench x1
 - Harness x1
4. If you find that parts are missing or show damage do not use the product but contact your dealer. Using an incomplete or damaged product represents a hazard to people and property.
5. Ensure that you have all the accessories and tools needed for assembly and operation. This also includes suitable personal protective equipment.



NOTE:

CSPX2-M includes the charger and the battery pack.
CSPX2-M-0 does not include the charger and the battery pack.



WARNING:



Wear protective gloves for this assembly work and always lay the product on a flat and stable surface while assembling.



Follow the assembly instructions step-by-step and use the pictures provided as a visual guide to easily assemble the product!

Do not insert the battery pack before the power tool is completely assembled or adjusted!

CONNECTING THE FRONT AND THE REAR POLE

1. Align arrows on the rear pole component and the front pole, then Insert for connecting (Fig.2).
2. Rotate the connecting sleeve clockwise to reinforce the connection (Fig.3).
3. Check looseness between two parts.

INSTALLING THE SAW CHAIN AND GUIDE BAR



WARNING:

Switch off and remove the battery pack before installing the saw chain and guide bar.

1. Loosen the sprocket cover nut and detach the chain sprocket cover (Fig.4).
2. Wind the saw chain to the outside edge of the guide bar. Make sure the chain teeth are stuck into the slots (Fig.5).



NOTE:

Make sure the chain's direction of rotation is correct. The blades on each cutting link on the upper side of the cutting bar must be facing towards the tip of the pole saw.

3. Attach the guide bar and the saw chain to the product. Loop the saw chain around the sprocket and locate the chain bar by the fixing bolt on the saw (Fig.5). If the guide bar and saw chain can not be mount over the drive sprocket, slightly adjust the tensioning gear.
4. Pull the chain around the guide bar with your gloved hand or using auxiliary tools to make sure it can run smoothly.
5. Replace the sprocket cover and preliminarily screw the sprocket cover nut to prevent the guide bar and saw chain from dropping. Do not totally tighten it (Fig.4).
6. Turn the saw chain tensioning gear clockwise till the saw chain can be lifted by 2-3 mm from the center of the guide bar (Fig.5).
7. Fully tighten the sprocket cover nut to secure the sprocket cover.

INSTALLING THE HARNESS

The harness with quick release function can be hooked on the front handle (Fig.6).

BAR AND CHAIN OIL FILLING



WARNING:

Never operate the pole saw without bar and chain oil. The use of the pole saw without enough bar and chain oil will damage the unit.

This pole saw is shipped without bar and chain oil in the tank. Fill the oil tank for the initial use and check the oil level before every start.

1. Place the pole saw on a level surface. Clean the area around the oil tank cap and then open it.
2. Fill the oil tank with bar and chain oil carefully. Make sure that no dirt gets into the oil tank so that the oil nozzle does not clog.
3. Close the oil tank cap and wipe off residual oil around the opening.

INSTALLING/REMOVING THE BATTERY PACK

To install:

Align and slide the battery pack to the docking port on the pole saw until it is locked in position (Fig.7).

To remove:

Press the unlock button on battery pack and remove the battery pack from the pole saw (Fig.8).

OPERATION



WARNING:

To avoid serious personal injury, do not operate the pole saw without the guide bar, saw chain and sprocket cover properly assembled. Do not attempt to operate the pole saw if any part is damaged or missing.



WARNING:

Always wear protective equipments. Make sure the pole saw is in a complete stop when perform any adjustments.

ADJUSTING THE SAW HEAD

The angle of the saw's head can be adjusted from -60° to 60° by pressing the angle adjustment button. Five stages (-60° , -30° , 0° , 30° , 60°) in total can be achieved (Fig.9).

If you would like to change the angle of the saw's head, switch off the product and remove the battery pack at first in case of injury.

Make sure it is firmly engaged once adjusted. Never start the pole saw whose head is disengaged.

ADJUSTING POLE LENGTH

1. Unlock the telescoping lock clip so that the pole can freely extend outwards and inwards (Fig.10).

2. Extend the pole to the desired length and lock the telescoping lock clip to hold it in place (Fig.11).
3. In order to prevent accident or injury, check the tightness by holding and stretching the both ends of the telescoping part.
4. If the locked telescoping lock clip can not firmly hold the pole. The lock nut for the telescoping release lever is supposed to be tightened by a wrench.

ADJUSTING THE TENSION OF SAW CHAIN



WARNING:

After using, the chain tension may loose. Adjust the chain tension before next work.

If adjustments are needed, slightly loosen the sprocket cover nut. It's not necessary to remove the sprocket cover. Adjust the saw chain tensioning gear by a wrench. Do not over-tension the chain: this will lead to excessive wear and reduce the life of both the bar and chain. Secure the sprocket cover nut after adjustment.



NOTE:

The saw chain is correctly tensioned if it can be raised approximately 2-3 mm from the center of the guide bar.

ADJUSTING THE HARNESS

Adjust the harness to a suitable length (Fig.12).

Always use the harness to carry the product weight on your shoulder (on the same side of tool or cross your body).

Ensure that the quick release is on your chest (NOT on your back). Open the quick release clamp under emergencies to take off the harness quickly (Fig.13).

SWITCHING ON/OFF



WARNING:

Before beginning work, you should check:

- The wearing of protective equipments.
- The damage of the saw housing, the saw chain and the guide bar.
- The level of the oil tank.
- The tension of the chain and the condition of the blades.

Hold the product as in working condition.

To start the product, keep pressing the safety switch, Then squeeze the switch trigger (Fig.14).

To switch the product off, just release the switch trigger.

CHARGING THE BATTERY PACK



WARNING:

This Lithium-Ion battery pack is shipped partially charged. Fully charge the battery pack before using it for the first time.



NOTE:

Charging batteries at a ambient temperature of 32°F(0°C)-104°F(40°C).

1. Charge the Lithium-Ion battery pack only with the correct charger.
2. Connect the charger to a power supply, the light indicator of the charger turns red.
3. Align the raised ribs of the battery pack with the slot in the charger.
4. Insert the battery pack into the charger, the light indicator of the charger turns green and it flashes (Fig.15).
5. The charger will communicate with the battery pack to evaluate the condition of the battery pack.
6. It is fully charged that the four lights of the battery turn on. Disconnect the power supply from the charger. Remove battery pack from the charger.

CHARGING INDICATOR

Press the light button on the battery pack to check whether it needs to charge (Fig.8).

Lights			Status
Lighted	Off	Blinking	
			The battery is at full capacity.
			The battery is at 75% capacity.

	The battery is at 50% capacity and requires charging.
	The battery is at 25% capacity and requires charging soon.
	The battery is less than 5% capacity and requires charging immediately.



WARNING:

Malfunctions may occur when the four lights blinking in turns.

OVERHEAT PROTECTION

When the tool/battery is overheated, the tool stops automatically. In this situation, let the power tool/battery cool before turning the tool on again.

OVERDISCHARGE PROTECTION

When the battery capacity is not enough, the tool stops automatically. In this case, remove the battery from the tool and charge the battery.

HOLDING THE UNIT

- Stand in the operating position and stand up straight. Do not bend over.
- Keep feet apart and firmly planted.
- Hold the shaft grip with the right hand. Keep the right arm slightly bent.
- Hold the handle with the left hand. Keep the left arm straight.
- Hold the unit at waist level.
- Position the cutting head a few inches above the ground.
- Do not over-reach; Keep all parts of your body away from the rotating cutting attachment and hot surfaces.

HANDLING POLE SAW

- Hold the pole saw with both hands.
- Wear the harness to carry the weight for maintain a better control of the product.
- Fully grip both handles at all times during operation. Never operate pole saw using only one hand.
- Hold the pole saw at a max. angle of 60° from the

horizontal level (Fig.16).

- Do not stand directly under the limb you are sawing. Objects may fall different than expected. Position yourself well out of the path of falling limbs.
- Keep bystanders away from cutting end of garden power tool and a safe distance from the work area. Maintain a minimum distance of thirty feet to bystanders.
- Do not stand on a ladder or other support while using pole saw. Maintain a firm footing and balance during operation.
- Make sure the power cord is located to the rear, away from the chain and wood, and kept free of branches during cutting.
- Hold the pole saw to the side of your body.
- Do not operate the pole saw with arms fully extended or attempt to saw areas that are difficult to reach.
- Keep a firm, steady pressure on the pole saw while working. Do not try to force the pole saw through the wood, let the chain do the work. Use the gripping teeth to apply minimal leverage pressure.
- Use caution when reaching end of cut. The pole saw's weight may change unexpectedly as it cuts free from the wood. Always remove the pole saw from a wood cut while it is running.

AVOIDING KICKBACK DURING USE

Kickback occurs when the chain (at the tip of the guide bar) comes in contact with a log or wood, or when the saw chain becomes jammed, often when sawing sideward, slanted or during lengthwise cuts.

To avoid kickback:

- Saw with guide bar at a flat angle
- Do not work with a loose, overstretched or worn out chain
- Ensure chain is sharpened correctly
- Do not work with the tip of the guide bar
- Hold the pole saw firmly with both hands
- Use a low kickback chain
- Ensure correct chain tension

CUTTING THIN BRANCHES

- Thin branches can be cut off with a single cut.
- To prevent the branch from splintering and buckling, cut the branch off in several pieces (Fig.17). When cutting larger branches, the following four cuts are necessary:
- First cut into the branch from below, outside of the location where you intend to cut off the branch.
- The cut should go one third to halfway through the branch (1) (Fig.18).
- Cut into the branch from the top, making sure it's outside from where the branch is to be sawed (2) (Fig.18).

- To keep stump and branch from splintering, do a stub undercut below branch (3) (Fig.18).
- Cut off the stump with one clean cut from top to bottom. If desired, seal the cut with a suitable compound (4) (Fig.18).
- When finished cutting, turn off the pole saw and disconnect its power supply after use.
- Clean, then store the appliance indoors out of children's reach.

SAFE WORK



WARNING:

Do not operate near electrical power lines. The unit has not been designed to provide protection from electric shock in the event of contact with overhead electric lines. Consult local regulations for safe distances from overhead electric power lines and ensure that the operating position is safe and secure before operating the tool.

- Before beginning work and after dropping or other impacts, inspect the pole saw in order to identify any significant damage to the housing, the saw chain and the guide bar. Never use an obviously damaged machine.
- Before beginning work and regularly during work check oil level, lubrication system and chain tension.
- Wear hearing protection and protective goggles and a safety helmet with integrated hearing protection and a face guard. This provides protection against falling branches and recoiling branches.
- In order to ensure safe work, a maximum working angle of 60° is prescribed.
- Never stand below the branch to be sawed.
- Exercise caution when sawing branches under tension or splintering wood.
- Potential risk of injury from falling branches and flying wood projectiles!
- If the machine is in operation, keep persons and animals away from the danger area.
- The machine is not protected against electric shock when coming into contact with high-voltage lines.
- Maintain a minimum clearance of 30 feet (10 m) from current carrying lines. Life-threatening danger from electric shock!
- When working on an incline, always stand above or to the side of the branch to be sawed.
- Hold the machine as close as possible to your body. By doing so, you maximize your balance. Make absolutely sure to wear the appropriate, close fitting protective clothing, such as chainsaw-protective pants, gloves and safety shoes.
- Never overwork yourself. Take a regular rest during working.

SAWING TECHNIQUES



WARNING:

The risk of the operation may occur, such as the sharp tree branches may cut the user's skin, the blade of the unit may hurt the user's body. Always wear eye, hearing, hand, foot and body protection to reduce the risk of injury when operating this unit.

- Make sure the chain is running at full speed before touching the branch to be cut
- When removing branches, hold the pole saw at an angle ranging from 0 to 60° in order to avoid being struck by a falling branch. The saw should never be operated directly above head.
- Saw off the lower branches on the tree first. By doing so, it is easier for the cut branches to fall to the ground.
- At the end of the cut, the weight of the saw suddenly increases for the user, because the saw is no longer supported on the branch. There is the risk of losing control of the saw.
- Only pull the saw out of the cut with the saw chain running. By doing so, you can prevent it from getting jammed.
- Do not saw with the tip of the guide bar.
- **IMPORTANT!** Use the shoulder strap! Always use the shoulder strap when working with the equipment. Switch off the equipment before you take off the shoulder strap (risk of injury). And hold the pole saw firmly with both hands.
- If any foreign object is hit or if vibrations occur, stop the machine immediately. Disconnect the battery. Check that the machine is not damaged. Repair any damage.
- For sawing off smaller branches, place the stop face of the saw on the branch. This prevents unwanted movements of the saw at the beginning of the cut. While applying light pressure, guide the saw through the branch from top to bottom.
- For sawing off larger branches, first make a relief cut. Saw through 1/3 of the branch diameter from the bottom to top using the top side of the guide bar. Then saw from top to bottom for the other 2/3 using the bottom side of the guide bar.
- Saw off longer branches in sections in order to maintain control over the location of impact.

MAINTENANCE



WARNING:

Always remove the battery pack and let the product completely cool down before performing cleaning and maintenance work!

Always wear protective equipments such as gloves and eye protections to reduce the risk of injury when operating this unit.

Only perform cleaning and maintenance work according to these instructions! All further works must be performed by a qualified specialist!

When servicing use only identical replacement parts. Use of any other accessory or attachment may increase the risk of injury.

REPLACING THE SAW CHAIN AND GUIDE BAR



WARNING:

When handling saw chains, always wear protective gloves.

Replace chain when cutters are too worn to sharpen or when chain breaks. Only use replacement chain noted in this manual. **DO NOT** use any other bar/chain combination. Always include new drive sprocket when replacing chain. This will maintain proper driving of chain.

1. Place the pole saw body on a firm and level surface.
2. Loosen the sprocket cover nut to remove the chain sprocket cover.
3. Wearing protective gloves, take off the broken saw chain or the guide bar.
4. Wind the new saw chain around the new guide bar, making sure that the teeth are aimed in the direction of rotation. The chain should be properly seated into the slot running along the entire outside edge of the guide bar.
5. Loop the saw chain around the sprocket and locate the guide bar by matching its hole with the fixing bolt on the saw.
6. Put the sprocket cover on the original place.
7. Screw the sprocket cover nut, but not tight.
8. Adjust the chain tension according to the chapter "ADJUSTING THE TENSION OF SAW CHAIN".
9. Fully tighten the sprocket cover nut to secure the sprocket cover.
10. Check for the smooth movement of the saw chain.

SHARPENING THE SAW CHAIN

Keep chain sharp. Your saw will cut more efficient and more safely. A dull chain will cause undue sprocket, guide bar, chain, and motor wear.

Do not force chain into wood to prevent the saw chain from becoming dull.



NOTE:

Do not sharpen the saw chain by yourself unless you are experienced in doing so. It is recommended to have the chain saw sharpened by an authorized service.



WARNING:

Switch off and remove the battery pack before servicing. Cutting edges on chain are sharp. Use protective gloves when handling chain.

To sharpen the chain:

1. Using protective gloves, ensure the chain is correctly tensioned on the guide bar.
 2. Use a round file with a diameter 1.1 times the cutting tooth depth. Make sure 20% of the file diameter is above the cutter's top plate (Fig.19).
 3. File at an angle perpendicular to the bar, and at an angle of 25° to the direction of travel (Fig.20).
 4. File each tooth from the inside towards outside only. File one side of the chain first then turn the saw around and repeat the process.
- Sharpen each tooth equally by using the same number of strokes.
 - Keep all cutter lengths equal. Each time the cutting tip is sharpened the cutting length is reduced. When the cutter length is reduced to 0.16 inch (4 mm), the chain is worn out and should be replaced.
 - The depth gauge setting is also reduced with each sharpening. Every 5 sharpenings use a depth gauge measuring tool to check the height between the cutting tip and the ridge. When necessary, use a flat file to file down the ridge to achieve the 0.25 inch depth gauge setting. Depth gauge measuring tools are available from most pole saws retailers (Fig.21).
 - If the saw is not functioning properly, take it to a qualified pole saw service center to have the saw inspected. Use only identical parts as listed in this manual.

CLEANING

- Remove debris from the saw chain and guide bar.
- Always clean out wood chips, saw dust and dirt from the guide bar's groove when replacing the chain.
- Ensure that the chain tensioning gear is free of wood chips and other debris.
- Use a small brush to clean the outside of the unit.

- Wipe power head with a clean cloth moistened with a mild soap solution. Never use harsh cleaners or solvents.
- Remove wood chips and other debris from air vents.
- Clean dirty contacts with a soft, dry cloth. Dirt or oil can cause a poor electrical connection, resulting in loss of power.

TRANSPORT

- Remove the battery pack from the pole saw.
- Clean the product as described above.
- Install a guide bar cover.
- Always carry the product by its handle.
- Protect the product from any heavy impact or strong vibrations which may occur during transportation in vehicles.
- Secure the product to prevent it from slipping or falling over, damage or injury.

STORAGE

- Remove the battery pack from the pole saw.
- Clean the product as described above.
- Store the product and its accessories in a dark, dry, frost-free, well-ventilated place.
- Always store the product in a place that is inaccessible to children.
- We recommend using the original package for storage or covering the product with a suitable cloth or enclosure to protect it against dust.



NOTE:

To prolong battery life, never store battery pack in a completely discharged condition. Make sure the battery pack is charged once per year or when the LED indicator shows only one light.

DISPOSAL

Waste product should not be disposed of with household waste. Please recycle where facilities exist.

Check with your local authority or retailer for recycling advice.

During the operation, the limbs or branches may be cut by the unit, users should clean these objects to protect environment.



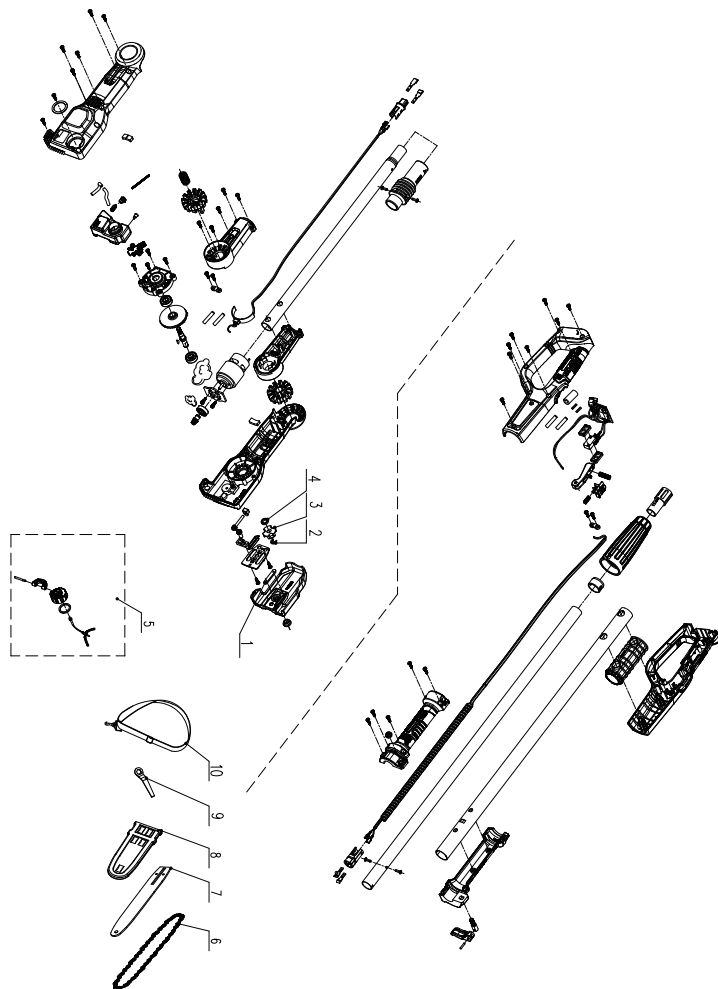
Electrical products should not be discarded with household products. Used electrical products must be collected separately and disposed of at collection points provided for this purpose. Talk with your local authorities or dealer for advice on recycling.

TROUBLESHOOTING

Suspected malfunctions are often due to causes that the users can fix themselves. Therefore, check the product using this section. In most cases the problem can be solved quickly.

PROBLEM	POSSIBLE CAUSE	SOLUTION
Product does not start	Battery pack not properly attached	Attach properly
	Battery pack capacity too low	Remove and charge battery pack
	Battery pack damaged	Check by a specialist electrician
	Safety switch is not turned on	Refer to chapter "SWITCHING ON/OFF"
Product does not reach full power	Battery pack capacity too low	Charge battery pack
	Air vents are blocked	Clean the air vents
Result is unsatisfactory	Cutting attachment is worn	Replace with a new one
Vibration or noise is excessive	Bolts/nuts are loose	Tighten bolts/nuts
Product suddenly stops	Battery pack capacity too low	Remove and charge battery pack
	Battery too hot	Remove battery pack and let it cool down

PARTS



No.	Parts #	Description	Qty.
1	8208-438801-00	Sprocket cover seal ring	1
2	8CE-07B	E-type retaining ring	1
3	8128-462202-00	Sprocket	1
4	F022009-019-00	Axle sleeve	1
5	199123000462	Oil tank cap assembly	1
6	201001000043	Saw chain	1
7	199140000085	Guide bar	1
8	9331-T10701-0000010	Guide bar cover	1
9	8261-463101-00	Wrench	1
10	8214-430802-00	Harness	1

WARRANTY

LIMITED TWO-YEAR WARRANTY

2-year limited warranty on all Senix X2 series outdoor battery powered equipment and charger. 2-year limited warranty on all Senix X2 batteries.*

FOR TWO YEARS from the original date of retail purchase this Senix product is warranted against defects in materials or workmanship on power tools and chargers. Defective product will receive free repair.*

FOR TWO YEARS from the original date of retail purchase this Senix product is warranted against defects in materials or workmanship on batteries. Defective product will receive free repair.*

This warranty does not cover normal wear of parts and components such as cutting chain, line or blades nor does this warranty cover product transportation cost for warranty or service.

Warranty is subject to the following conditions:

- Warranty applies to the original purchaser at retail and is not transferrable*
- Warranty Registration at www.senixtools.com
- The tool has not been misused, abused, neglected, altered, modified or repaired by anyone other than an authorized service center
- Only genuine Senix accessories have been used with or on this product
- The tool has been subjected to normal wear and tear
- The tool has not been used for trade or professional purposes
- The tool has not been used for rental purposes
- This warranty only covers defects arising under normal usage and does not cover any malfunction, failure or defect resulting from misuse, abuse (including overloading the product, exposure to water or rain) accidents, neglect or lack of proper installation and improper maintenance or storage.

To locate your nearest Senix service provider call toll free at 800-261-3981 or email us at service@senixtools.com.

Additional Limitations

Any implied warranty granted under state law, including warranties of merchantability or fitness for a particular purpose, are limited to three years from the date of purchase on power tools and chargers and seven years on batteries. The manufacturer is not responsible for direct, indirect, incidental or consequential damages. Some states and provinces do not allow limitations on how long an implied warranty lasts and/or do not allow the exclusion or limitation of incidental damages, so the above limitations and exclusions may not apply to you. This warranty gives you specific legal rights, and you may also have other rights which vary from state to state or province to province.

The YAT USA declines any responsibility in regard to civil liability arising from abusive use or not in conformity with proper use and maintenance of the machine as described in the operator's manual.

YAT USA is not responsible for direct, indirect, incidental or consequential damages.

After the purchase, the manufacturer recommends proper maintenance of the machine and to read the operator's manual before using the machine.

*Original purchase receipt may be required for proof of purchase

For customer service contact us toll free at 1-800-261-3981 or Senixtools.com.

YAT USA, Inc. 6441 Hendry Rd. Suite A Charlotte, NC. 28269